



Roboshot Transmix 10000

The world's most compact, low-profile mobile concrete mixer, specifically engineered for underground mining conditions.



The Roboshot Transmix has cabins (optional) at both ends of the rig, enabling the operator to drive into a decline or shaft cage and drive out against without turning the machine around. The Transmix features multi-mode, 6 wheel-hydrostatic steering. It is capable of reaching speeds of up to 22 km/h and handling 1:6 inclines with ease, even fully laden with 10 cubic meters of concrete. Compact and manoeuvrable, the Transmix is able to carry all the materials needed to support shotcreting operations performed by its stable-mates, the Jacon Roboshot Maxijet.

A COMPLETE AND UNIQUE SOLUTION TO BATCH MIXING AND TRANSPORTATION OF CONCRETE IN MINES AND TUNNELS.



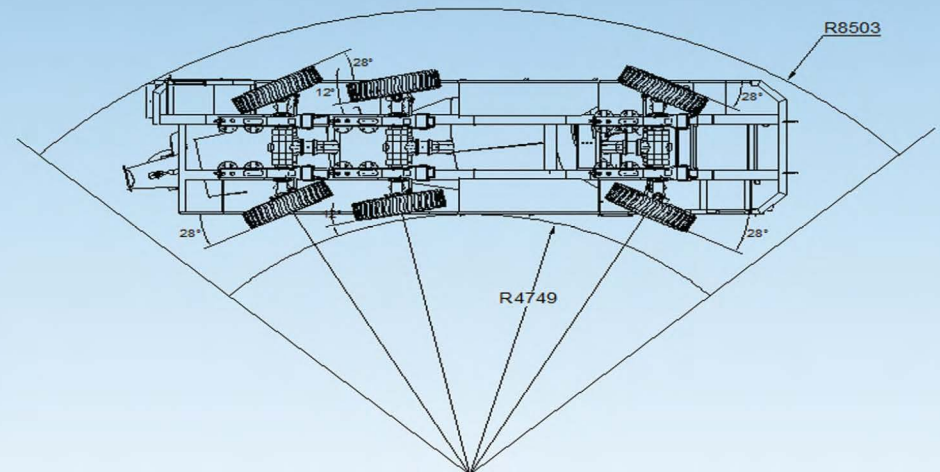
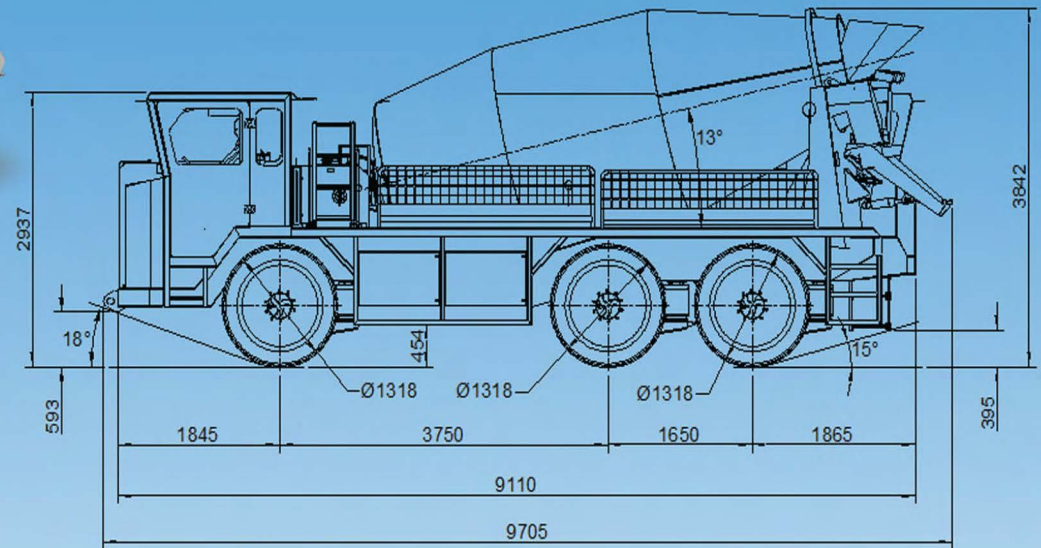
Specifications:

- ▶ Caterpillar C13 engine rated at 310KW @ 2100 RPM
- ▶ Hydrostatic 6 wheel drive transmission
- ▶ Bosch Rexroth Closed Loop Transmission Pump
- ▶ Clark hurth 213 steering axles front & back, dynamic capacity 28 tonnes
- ▶ Full operating controls from Front & Rear cabins
- ▶ 10 Cubic Metres, Double Spiral Blades, Capable of mixing From Batching Plant
- ▶ Hydraulic Drum Chute Tilting
- ▶ Catalytic Converter & Spark Arrestor
- ▶ Water pump and 200ltr capacity water tank
- ▶ Hydraulically applied four wheel internal wet disc brakes
- ▶ 22Km/hr, fully loaded up to 6% gradient
- ▶ 12Km/hr, fully loaded up to 15% gradient

Turning circle: 8.5m approx

Dimensions:
 Length: 9.70m
 Width: 2.45m
 Height: 3.84m

Tare weight: 18.840 Kgs



Unit 1/ 36 Millrose Drive Malaga WA 6090 Phone: 08 9249 5544 Fax: 08 9249 5543
 Email: spareparts@moore-quip.com.au Web: www.moore-quip.com.au